



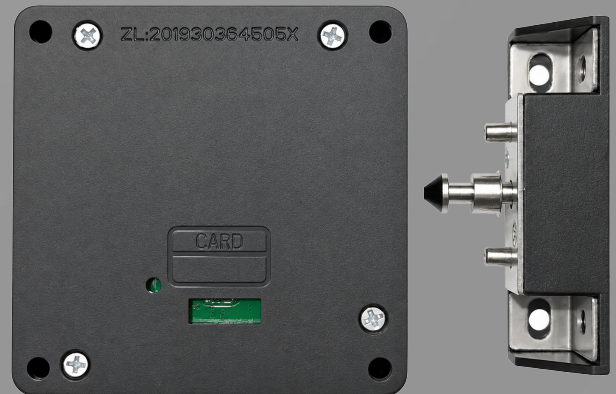


-  MOBILE ACCESS
-  CARD ACCESS
-  BLUETOOTH
-  TTLOCK APP



## STONEUK - ST-CA5

The ST-CA5 is a discreet and intelligent locking solution designed for modern security needs. Featuring an invisible installation, it ensures a clean and seamless appearance while providing secure access via RFID Card and TTLock Mobile App. Equipped with built-in Bluetooth connectivity, the lock enables convenient remote access and full control through a dedicated mobile application. Durable, reliable, and user-friendly, it is ideal for securing cabinets, drawers, and personal storage spaces.

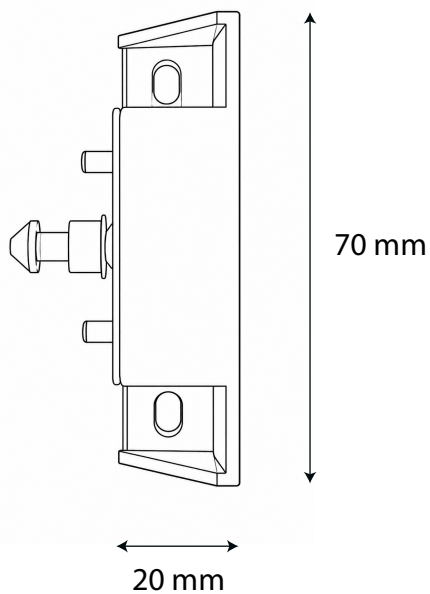
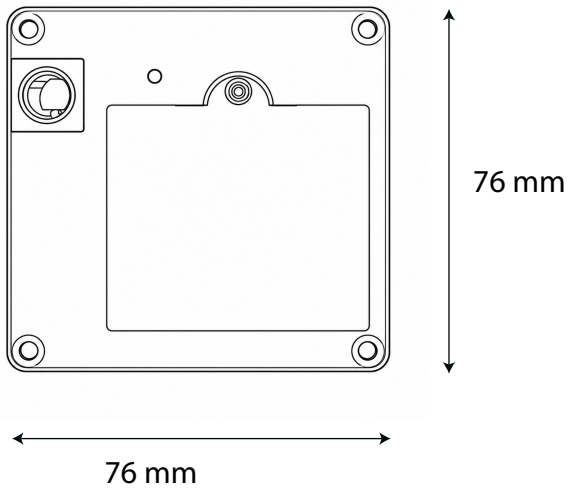
### KEY FEATURES

- Card and Mobile Access Methods
- Built-in Bluetooth Connectivity
- Featuring an Invisible Installation
- Mobile Application for Remote Access
- Durable, Reliable, and User-Friendly
- Ideal for Securing Cabinets, Drawers, and Personal Storage Spaces

## PRODUCT PARAMETERS

Access Methods	Card and Mobile App
Mobile App	TTLock
Power Source	4 x AAA Alkaline Batteries
working Voltage	DC 6 V
Power Consumption	70uA
Connectivity	Bluetooth

## DIMENSION



Get in Touch 

 +44 2080 773081

 [info@thestoneuk.com](mailto:info@thestoneuk.com)

 [www.thestoneuk.com](http://www.thestoneuk.com)