



STONEUK - ST-DF5

The ST-DF5 is a premium smart lock device featuring smart Dual Side Fingerprint Recognition for enhanced convenience and safety, along with Password, RFID card, Mechanical key, and Mobile access, equipped with a semiconductor fingerprint sensor, glass panel keypad touch sensor, strong aluminum alloy body, and a universal design compatible with all types of doors.

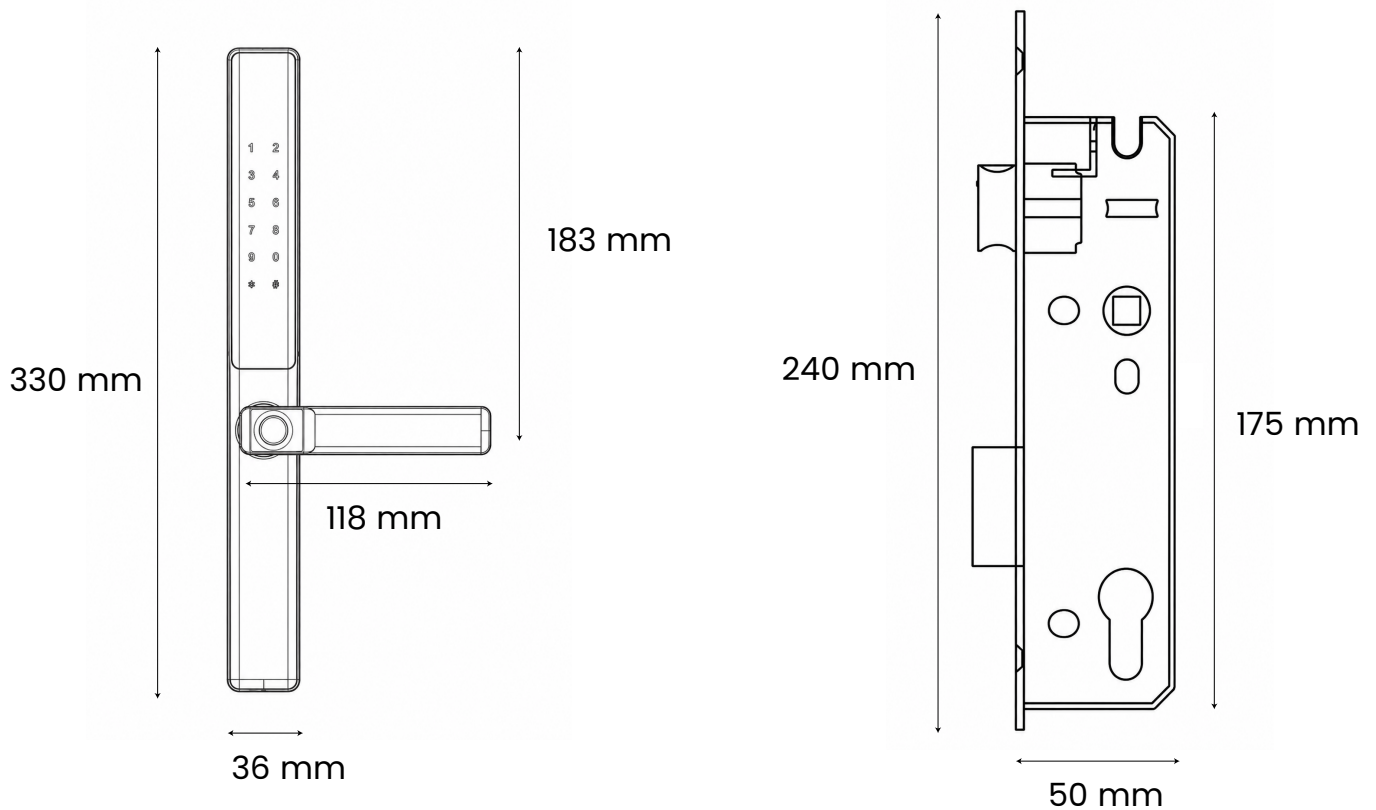
KEY FEATURES

- Multi access with Fingerprint, Password, Card, and Mobile access.
- Dual side fingerprint recognition.
- Semiconductor fingerprint for easy identification and quick activation.
- <0.5 s of Recognition Speed.
- Dual side keypad touch sensor for password access.
- C-Grade anti-theft lock cylinder.
- Built with a strong aluminum alloy body.

PRODUCT PARAMETERS

Appearance	Aluminum Alloy, Color: Black
Unlocking Method	Fingerprint, Password, RFID Card, and Mobile Access
Recognition Speed	<0.5 s
Power Source	4 AA Dry Battery
Lock Cylinder	Grade C Lock Cylinder
Lock Grade	Class C Safety Lock core
Other Functions	Emergency charging Voice prompt Low battery alarm Temporary password Built-in alarm Anti-theft protection IP65 waterproof <0.001 % false rejection rate

DIMENSION



Get in Touch >

+44 2080 773081

info@thestoneuk.com

www.thestoneuk.com